

KÄRCHER

makes a difference

LMO 18-36 Battery

English
العربية

7
12



EAC

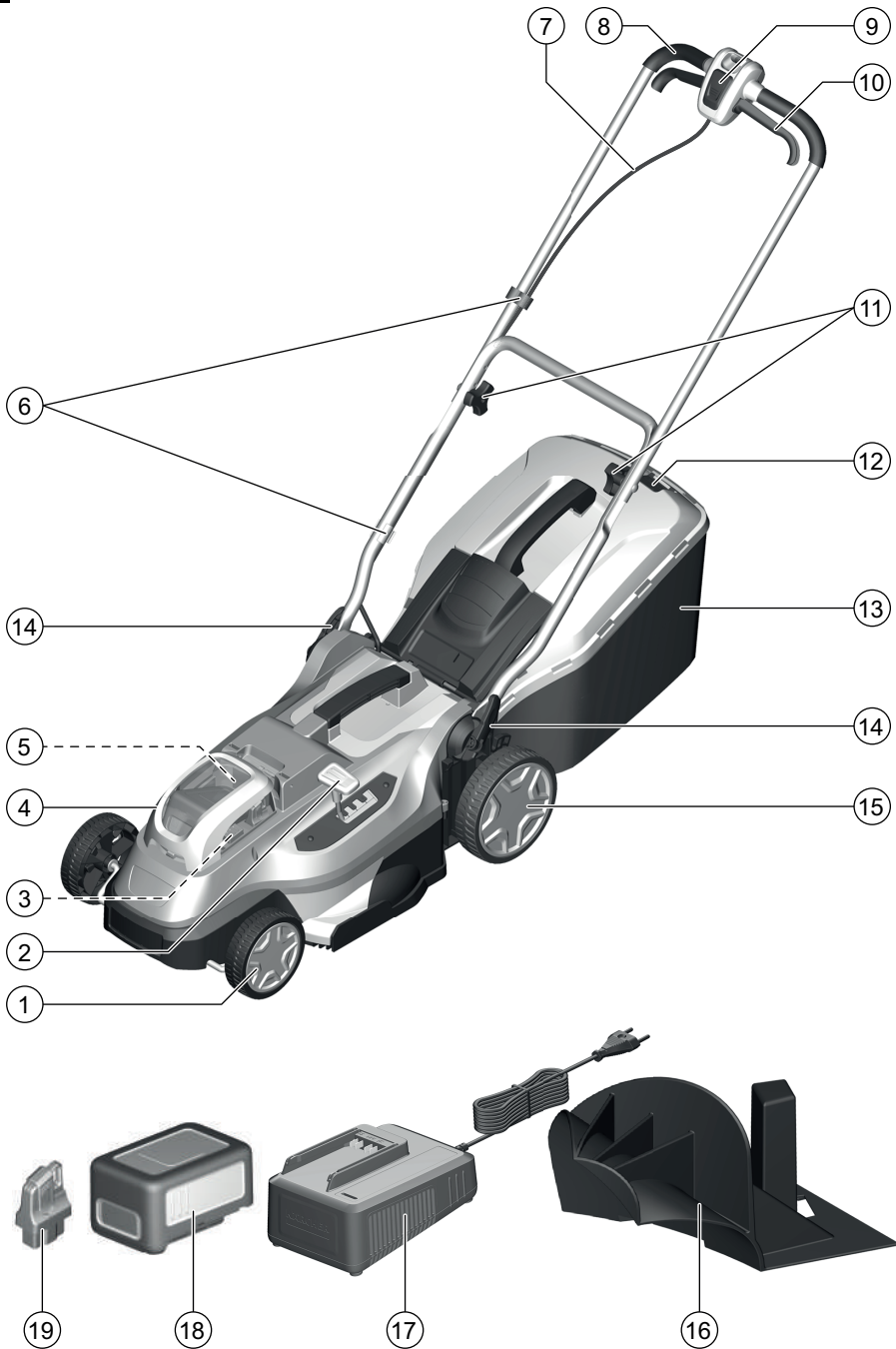


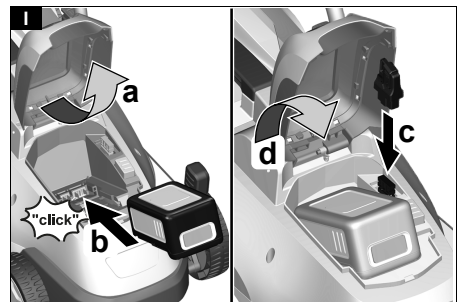
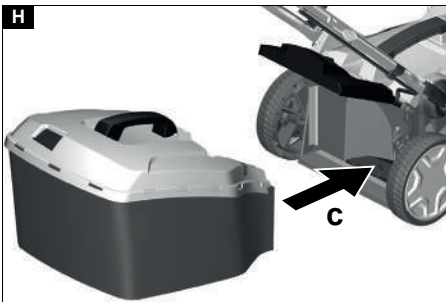
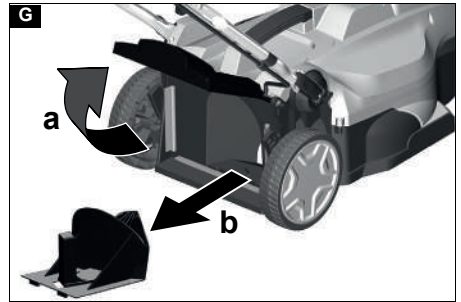
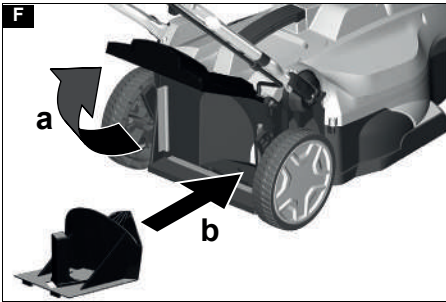
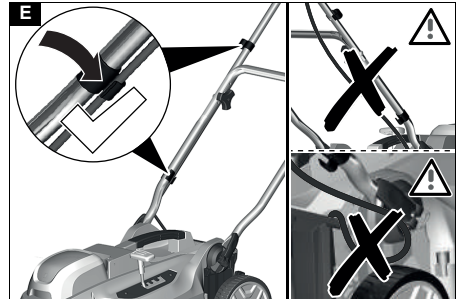
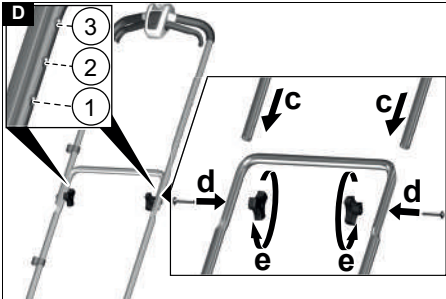
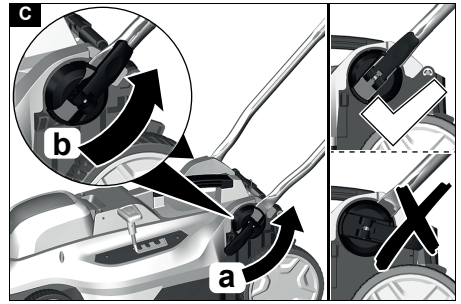
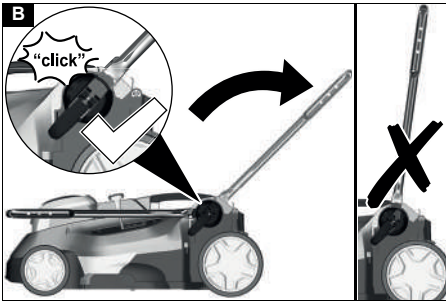
59693090 (07/20)

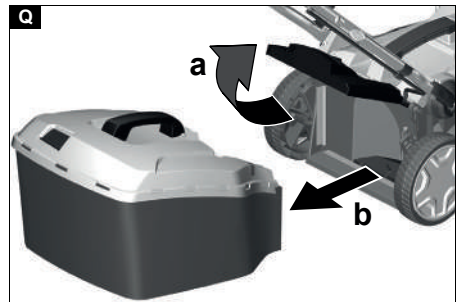
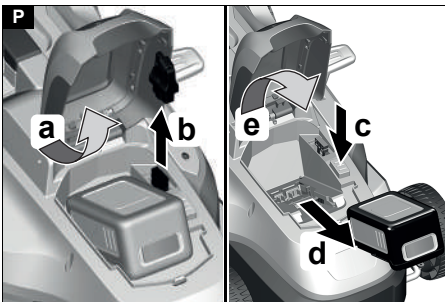
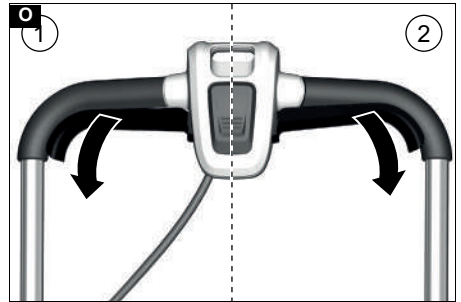
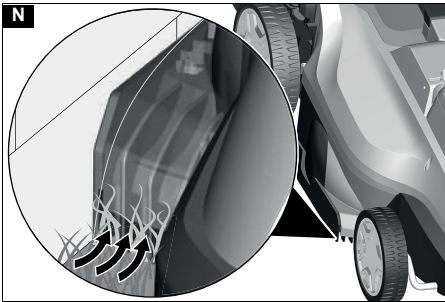
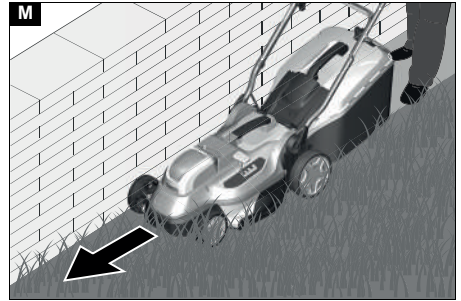
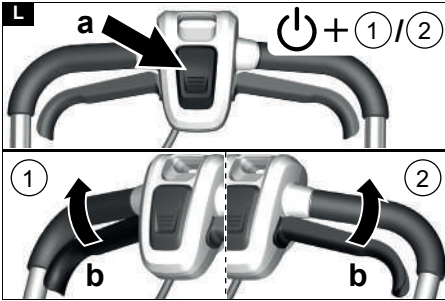
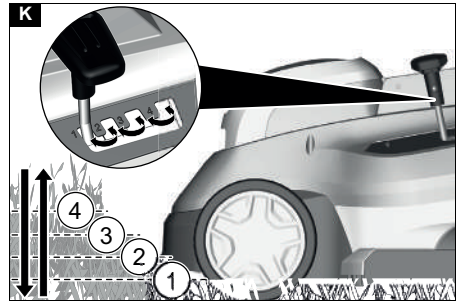
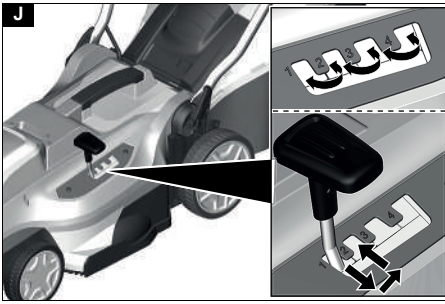


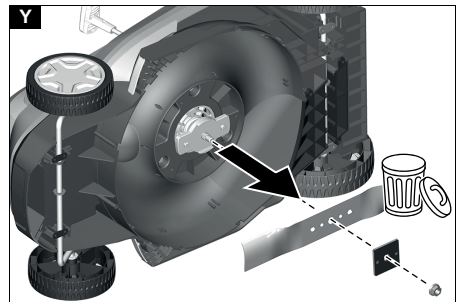
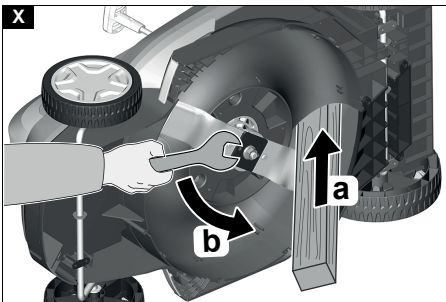
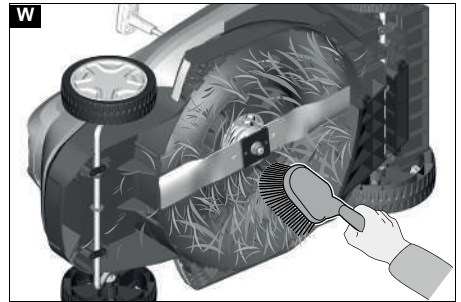
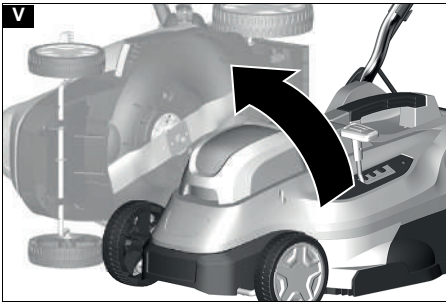
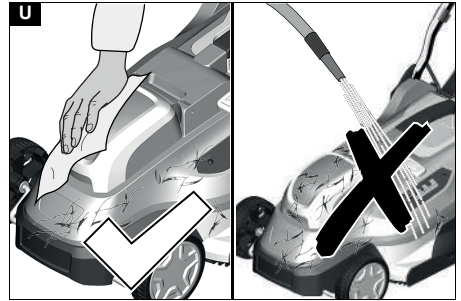
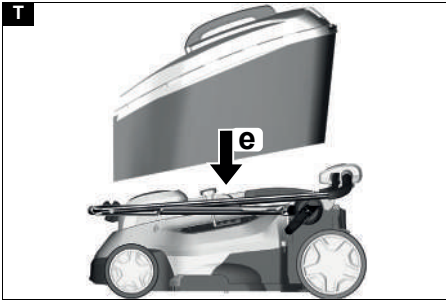
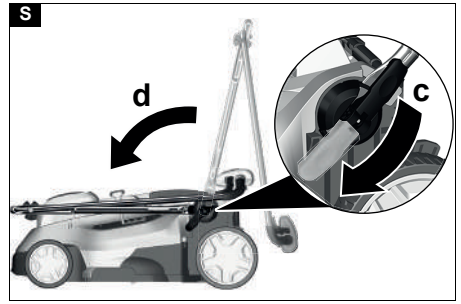
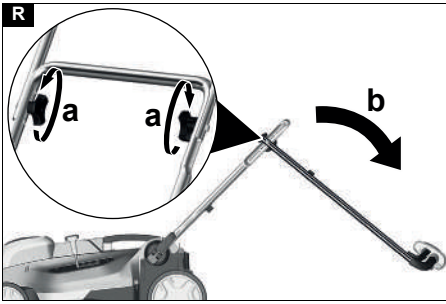
**Register
your product**
www.kaercher.com/welcome

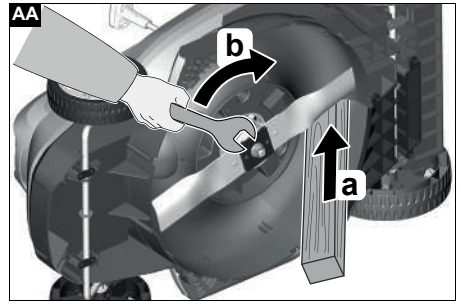
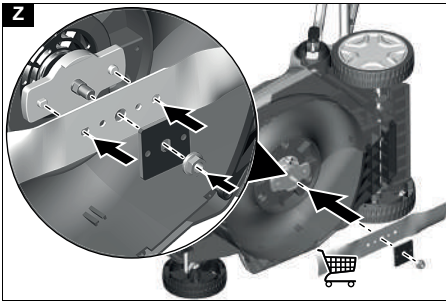
A











Contents

Safety instructions	7
Intended use	8
Environmental protection	8
Accessories and spare parts	8
Scope of delivery	8
Safety devices	9
Device description	9
Installation	9
Initial startup	9
Operation	9
Transport	10
Storage	10
Care and service	10
Troubleshooting guide	11
Technical data	11
Warranty	11
EU Declaration of Conformity	11

Safety instructions



Read these safety instructions, these original instructions, the safety instructions provided with the battery pack and the operating instructions supplied with the battery pack/standard charger before using the device for the first time. Proceed accordingly. Keep the booklets for future reference or for future owners.

In addition to the notes in the operating instructions, you also need to take into consideration the general safety regulations and accident prevention guidelines applicable by law.

Hazard levels

⚠ DANGER

• Indication of an imminent threat of danger that will lead to severe injuries or even death.

⚠ WARNING

• Indication of a potentially dangerous situation that may lead to severe injuries or even death.

⚠ CAUTION

• Indication of a potentially dangerous situation that may lead to minor injuries.

ATTENTION

• Indication of a potentially dangerous situation that may lead to damage to property.

General safety instructions

⚠ DANGER • The device can amputate hands and feet, causing death or severe personal injury, and can fling objects unpredictably. • Severe injuries through a lack of concentration when working. Do not use the device when under the influence of drugs, alcohol, or medication, or when you are tired.

⚠ WARNING • Children and persons unfamiliar with these instructions are not allowed to operate the device. The age of the operator may be limited by local restrictions. • Children must not play with the appliance. • Children must be supervised to prevent them from playing with the appliance. • Use only the battery pack specified in these operating instructions with the device. Observe the basic precautionary measures when using battery operated devices, to reduce the risk of injuries, fire and a leaking battery. • Wear long, heavy trousers,

clothing with long arms and non-slip boots when working with the device. Do not work barefoot. Do not wear sandals or short trousers. Avoid wearing loose clothing or clothing with cords and straps. • Wear protective goggles or safety goggles with side protection. • Always guide the device along the face of a gradient. Danger of severe injuries when you guide the device up and down a gradient. • Do not run but rather walk when working with the device. Maintain a solid and safe footing and keep your balance, especially when working on gradients. • Danger of accident due to slipping. Do not use the device at the edges of steep slopes or trenches, on steep slopes or embankments.

⚠ CAUTION • Familiarise yourself with the controls and the correct use of the device.

Occupational safety

⚠ DANGER • Severe injuries when objects are flung by the cutting blade or when the cutting tool becomes entangled in wires or cords. Inspect the work area thoroughly for objects such as stones, sticks, metal, wires, bones or toys and remove these before using the device. • Never use the device when persons, especially children, are within a radius of 15 m of the working area, because the danger exists of objects being flung out by the cutting blade. • Danger of explosion. The device creates sparks that may ignite dust, gas or vapours. Do not operate the device in explosive atmospheres, such as in the presence of flammable liquids, gases or dusts. • Severe accidents with children. Children can be attracted by the device and your activities. Keep an eye on children because they do not always remain where you have last seen them.

⚠ WARNING • Do not operate the device on wet grass or in the rain. • Do not use the device if there is a danger of lightning. • Always mow in daylight or under good artificial lighting. • Keep children away from the mowing area and have them supervised by an adult who is not the operator, be alert and switch the device off if a child enters the mowing area. • Be careful when approaching blind corners, bushes, trees or objects that might restrict your view.

ATTENTION • The device operator is responsible for accidents with other people and their property.

Safe operation

⚠ DANGER • Check that the blade, blade bolts and blade unit are undamaged each time before using the device. • Never lock the On/Off switch in the ON position, this is extremely dangerous. • Pull the device backwards only when absolutely necessary. If you need to pull the device away from a wall or obstacle, first pull downwards to prevent yourself from stumbling or pulling the device over your feet. • Danger of coming into contact with the open blade or being hit by flung objects. Do not tip the device when starting the motor or while the motor is running. If tipping is absolutely necessary, e.g. to make starting easier, then you can raise the front of the device by 5 cm. Press the handle carefully downwards for this. You must return the device to the normal operating position (i.e. all four wheels on the ground) before starting to mow. • Knives that come into contact with a live cable may energize exposed metal parts of the device and cause an electric shock.

⚠ WARNING • The blades on the device are sharp. Wear sturdy protective gloves and work carefully

when installing, replacing, cleaning or checking the seating of screws. ● Replace worn or damage parts as a complete set to maintain the correct balance. ● Ensure that the device is in a safe condition by regularly checking that all bolts, nuts and screws are screwed tight. ● Replace any worn or damaged parts before operating the device. ● Never use the device if the on/off switch on the handle does not switch on and off correctly. ● Do not forcefully operate the device. ● Stop the motor, in order to stop the blade when transporting the device to and from the mowing area or when tipping the device for crossing ground that is not covered with grass. ● Stop the blade before crossing gravel surfaces. ● Never use the device with defective or absent protective devices, such as e.g. deflectors and/or the grass catcher. ● Do not bring your hands or feet in the vicinity of, or underneath rotating parts. Switch the motor on according to the operating instructions. ● Never lift or carry the device while the motor is running. ● Uneven terrain carries an increased risk of slipping and accidents. Avoid holes, furrows, uneven areas, stones and other hidden objects. ● Start the device only when you are positioned in the safe area behind the handle.

- All four wheels are on the ground.
- The grass ejection chute is not open but rather protected by the grass catcher or the ejection chute cover.
- The hands and feet of all persons are away from the cutting housing.
- Switch the motor off and remove the safety key. Ensure that all moving parts have completely stopped moving:
 - Always when you leave the device unattended, including the periods when disposing of the mown grass.
 - Before removing a blockage or cleaning the ejection chute.
 - Before checking, cleaning or working on the device.
 - After hitting a foreign object. First check the device for damage and repair any damage before restarting the device.
 - Before removing the grass catcher or the grass ejection chute cover.
 - When the device starts to vibrate unusually. Immediately check the device:
 - For loose parts. Tighten any loose parts if necessary.
 - For damage, especially to the blade. Repair or replace any damaged parts.

⚠ CAUTION ● Check the grass catcher regularly for wear and tear.

ATTENTION ● Take care to ensure that the motor control cable is not jammed or damaged in any other way during installation or when folding the handle.

Residual risks

⚠ WARNING

- Certain residual risks remain present, even when the device is operated in the prescribed manner. The following dangers can be present when using the device:
 - Vibration can cause injuries. Use the correct tools for the job, use the handles provided and restrict the working time and hazard exposure time.
 - Noise can cause hearing injuries. Wear hearing protection and limit the duration of exposure.
 - Injuries through contact with the blades.

- Injuries due to flung objects.

Risk reduction

⚠ CAUTION

- Using the device for longer periods can cause poor circulation in the hands due to vibrations. A general period of use cannot be set, because this depends on several influencing factors:
 - Personal tendency to suffer from poor circulation (frequently cold fingers, tingling sensation in the fingers)
 - Low ambient temperature. Wear warm gloves to protect your hands.
 - Holding the device too tightly hindering blood circulation.
 - Continuous operation is more harmful than operation interrupted by work breaks.
- You should see a doctor if using the device regularly and for lengthy periods of time, and in the event of repeated occurrences of symptoms such as tingling in the fingers or cold fingers.

Intended use

⚠ DANGER

Improper use

Danger of death from incision injuries

Only use the device for its proper use.

- Use the battery lawnmower in private households only.
- The device is intended for outdoor use only.
- The device is designed for mowing private lawns.
- The device is designed for being pushed by hand. The device should not be pulled.
- Riding on the device is prohibited.

Any other use is prohibited. The user carries full liability for damage resulting from improper use.

Environmental protection



The packing materials can be recycled. Please dispose of packaging in accordance with the environmental regulations.



Electrical and electronic appliances contain valuable, recyclable materials and often components such as batteries, rechargeable batteries or oil, which - if handled or disposed of incorrectly - can pose a potential threat to human health and the environment. However, these components are required for the correct operation of the appliance. Appliances marked by this symbol are not allowed to be disposed of together with the household rubbish.

Notes on the content materials (REACH)

Current information on content materials can be found at: www.kaercher.com/REACH

Accessories and spare parts

Only use original accessories and original spare parts. They ensure that the appliance will run fault-free and safely.

Information on accessories and spare parts can be found at www.kaercher.com.

Scope of delivery

The scope of delivery for the appliance is shown on the packaging. Check the contents for completeness when unpacking. If any accessories are missing or in the event of any shipping damage, please notify your dealer.

Safety devices

Symbols on the device



Follow all warning notices and safety instructions. Read and comprehend all instructions before using the product.



Watch out for flung or flying objects.



Keep all spectators, especially children and pets, at least 15 m away from the work area.



Watch out for the sharp blade. The blades continue rotating after the motor has been switched off.



Remove the safety key before performing any maintenance.



Wear suitable eye protection and hearing protection when performing work.



Do not work on steep slopes.



Do not subject the device to rain or moist conditions.

Overload protection

The device is equipped with an overload protection system. The device switches off automatically when an overload is detected.

Device description

The maximum amount of equipment is described in these operating instructions. Depending on the model used, there are differences in the scope of delivery (see packaging).

For the illustrations, refer to the graphics page.

Illustration A

- ① Front wheel
- ② Cutting height adjustment lever
- ③ Battery pack release
- ④ Battery flap
- ⑤ Type plate
- ⑥ Cable holder
- ⑦ Motor control cable
- ⑧ Handle
- ⑨ Starter button
- ⑩ ON/OFF switch
- ⑪ Quick-release screw
- ⑫ Grass catcher filling level indicator
- ⑬ Grass catcher

- ⑭ Quick-release catch
- ⑮ Rear wheel
- ⑯ Mulch plug
- ⑰ *Charger
- ⑱ *Rechargeable battery pack
- ⑲ Safety key

* optional

Rechargeable battery pack

The device can be operated with a 18V Kärcher Battery Power battery pack.

Installation

Installing the handle

1. Fold over the lower section of the handle.
Illustration B
2. Lock the handle with the quick-release catch.
Illustration C
3. Screw the upper section of the handle at the desired height.
Illustration D
4. Fasten the motor control cable using the cable holder.
Illustration E

Initial startup

Attaching the mulch plug

The mulch plug is used when the mown grass is to remain on the lawn.

1. Open the ejection chute flap.
Illustration F
2. Insert the mulch plug into the ejection chute.
3. Close the ejection chute flap.

Installing the grass catcher

The grass catcher is used when the mown grass is to be collected for disposal.

1. Open the ejection chute flap.
Illustration G
2. Remove the mulch plug.
3. Install the grass catcher on the ejection chute. Take care to ensure that the ejection chute flap locks the grass catcher in place.
Illustration H

Installing the battery pack

1. Open the battery flap.
Illustration I
2. Push the battery pack into the mounting in the device until it audibly latches into place.
3. Insert the safety key.
4. Close the battery flap.

Operation

General information on handling the lawnmower

The run time of the battery depends on several factors:

- The condition, length and density of the grass
- The cutting height setting

The maximum surface performance, depending on the state of the grass, with a 5 Ah battery pack: approx. 350 m².

The results of the mowing process can be optimised as follows:

- Cut at a maximum of one third of the grass height.
- Reduce the speed at which push the device when mowing tall grass.

Note

Do not mow wet grass. Wet grass sticks to the underside of the lawnmower and prevents correct collection of the grass in the grass catcher or ejection of the grass.

Mowing lawns

⚠ WARNING

Lifting or tipping the lawnmower during operation
Incision injuries

The blade of the lawnmower rotates approximately parallel to the ground over which it moves. Take care to ensure that all four wheels touch the ground when mowing.

1. Install the grass catcher or mulch plug (see Chapter *Initial startup*).
2. Set the cutting height using the cutting height adjustment lever.

Illustration J

Choose the cutting height according to the condition, length and density of the grass (see Chapter *General information on handling the lawnmower*).

Illustration K

3. Press the start button and the ON/OFF switch.

Illustration L

The device starts.

4. Release the start button and hold the ON/OFF button pressed.

Empty the grass catcher regularly when using the grass catcher, otherwise the ejection chute can become clogged with cut grass (see Chapter *Emptying the grass catcher*).

Mowing edges

Lawn edges, e.g. along a wall, can also be mown using the device.

1. Push the lawnmower along the wall, close to the wall.

Illustration M

The side inlet ensures that the grass is pulled into the cutting zone.

Illustration N

Finishing operation

1. Release the ON/OFF switch.

Illustration O

The motor stops.

Removing the battery pack

1. Open the battery flap.

Illustration P

2. Remove the safety key.
3. Press the battery pack release.
4. Remove the battery pack.
5. Close the battery flap.

Emptying the grass catcher

The flap on the grass catcher filling lever indicator closes when the grass catcher is full. Empty the grass catcher in this case.

1. Lift the ejection chute flap.

Illustration Q

2. Remove the grass catcher.

Take care to ensure that the motor control cable remains in the cable holder when removing the grass catcher.

3. Empty the grass catcher.

Transport

⚠ WARNING

Sharp blade

Incision injuries

Be careful when tipping or lifting the device.

Keep all parts of your body away from the cutting blade.

1. Switch the device off (see Chapter *Finishing operation*).
2. Ensure that the blade is no longer rotating.
3. Allow the device to cool down.
4. Remove the safety key (see Chapter *Removing the battery pack*).
5. Remove the battery pack.
6. Secure the device against slipping and tipping over when transporting in vehicles.

Storage

Clean the device before storing (see Chapter).

1. Release the quick-release screws and fold down the handle.

Illustration R

2. Fold over the quick-release catch and place the handle on the device.

Illustration S

3. Place the grass catcher on the handle and the device.

Illustration T

4. Store the device in a dry, well ventilated location. Keep away from corrosive substances such as garden chemicals and defrosting salt. Do not store the device outdoors.

Care and service

⚠ WARNING

Sharp blade

Incision injuries

Be careful when tipping or lifting the device.

Keep all parts of your body away from the cutting blade.

Cleaning the device

1. Remove the battery pack (see Chapter *Removing the battery pack*).
2. Clean the exterior of the device with a soft, damp cloth or brush each time after use.

Illustration U

Clean the blade before longer storage periods.

3. Tip the device onto the side.

Illustration V

4. Clean the blade and the underside of the device using a brush.

Illustration W

Removing blockages

⚠ WARNING

Removing blockages

Incision injuries from the sharp blade or sharp-edged objects

Wear protective gloves when checking for blockages or removing blockages.

1. Switch the device off and wait until the blade comes to a standstill.

- Remove the battery pack (see Chapter *Removing the battery pack*).
- Remove the grass catcher and check for blockages. Remove any blockages.
- Check the ejection shaft for blockages. Remove any blockages.
- Tip the device onto the side.
- Check the underside of the device and the blade for blockages. Be careful when removing blockages because the blade can move while doing this.

Replacing the blade

- Remove the battery pack (see Chapter *Removing the battery pack*).
- Clean the underside of the device (see Chapter).
- Lock the blade and then loosen the screw.
Illustration X
- Remove and dispose of the blade.
Illustration Y
- Fit the new blade into the holder.
Illustration Z
- Lock the blade and then tighten the screw.
Illustration AA

Troubleshooting guide

Malfunctions often have simple causes that you can remedy yourself using the following overview. When in doubt, or in the case of malfunctions not mentioned here, please contact your authorised Customer Service.

The device switches off

- The device overload protection system has triggered.
- Release the ON/OFF switch.
 - Press the start button and the ON/OFF switch.
- The battery pack overheating protection has triggered.
- Wait until the battery pack temperature lies within the normal range.
 - Charge the battery pack if the device cannot be switched on.

Technical data

		LMO 18-36
Device performance data		
Nominal voltage	V	18
Cutting width	cm	36
Cutting height	mm	30-70
Grass catcher volume	l	45
Idle speed	1/min	4000 ± 10%
Determined values in acc. with EN 60335-2-77		
Sound pressure level L_{pA}	dB(A)	78
Uncertainty K_{pA}	dB(A)	3
Sound power level $L_{WA} + K$ uncertainty $_{WA}$	dB(A)	94
Right handle hand-arm vibration value	m/s^2	0,5
Left handle hand-arm vibration value	m/s^2	1,4
Uncertainty K	m/s^2	1,5
Dimensions and weights		

		LMO 18-36
Length x width x height	mm	1309 x 398 x 1042
Weight (without battery pack)	kg	13,4

Subject to technical modifications.

Warranty

The warranty conditions issued by our relevant sales company apply in all countries. We shall remedy possible malfunctions on your appliance within the warranty period free of cost, provided that a material or manufacturing defect is the cause. In a warranty case, please contact your dealer (with the purchase receipt) or the next authorised customer service site. (See overleaf for the address)

EU Declaration of Conformity

We hereby declare that the machine described below complies with the relevant basic safety and health requirements in the EU Directives, both in its basic design and construction as well as in the version placed in circulation by us. This declaration is invalidated by any changes made to the machine that are not approved by us.

Product: Battery-operated lawnmower
Type: LMO 18-36 Battery 1.444-4xx.0

Currently applicable EU Directives

2000/14/EC (+2005/88/EC)
2014/30/EU
2006/42/EC (+2009/127/EC)
2011/65/EU

Harmonised standards used

EN 50581: 2012
EN 55014-1: 2017
EN 55014-2: 2015
EN 60335-1:2012+A11:2014+A13:2017
EN 60335-2-77:2010
EN 62233: 2008

Conformity evaluation procedure used

2000/14/EC and amended by 2005/88/EC: Annex VI

Sound power level dB(A)

Measured: 91.0
Guaranteed: 94

Name and address of the notified body involved

Société Nationale de Certification et d'Homologation
2a, Kalchesbruck
L-1852 Luxembourg
ID no. 0499

The signatories act on behalf of and with the authority of the company management.



H. Jenner
Chairman of the Board of Management



S. Reiser
Director Regulatory Affairs & Certification

Documentation supervisor: S. Reiser

Alfred Kärcher SE & Co. KG
Alfred-Kärcher-Str. 28 - 40
71364 Winnenden (Germany)
Ph.: +49 7195 14-0
Fax: +49 7195 14-2212
Winnenden, 2018-11-01

4. التحقق من عدم وجود إنسدادات في فتحة الأبخراج. إزالة الانسدادات إذا لزم الأمر.
5. إمالة الجهاز على الجانب.
6. التحقق من عدم وجود إنسدادات على الجهة السفلية للجهاز والشفرة. إزالة الانسدادات بحذر لأن الشفرة يمكن أن تتحرك أثناء العملية.

استبدال الشفرة

1. إزالة علبة البطارية (انظر الفصل إزالة علبة البطارية).
2. تنظيف الجهة السفلية للجهاز (انظر الفصل).
3. تثبيت الشفرة وحل البرغي.
4. صورة إيضاحية X إزالة الشفرة والتخلص منها.
5. صورة إيضاحية Y تركيب الشفرة الجديدة في الحامل.
6. صورة إيضاحية Z تثبيت الشفرة وشد البرغي.

صورة إيضاحية AA

مساعدة في حالة حدوث أعطال

في الغالب تكون للاختلالات أسباب بسيطة يمكنك التغلب عليها ببساطة بالاستعانة بالعرض العام التالي. في حالات الشك أو عند حدوث اختلالات غير مذكورة هنا فيرجى التوجه إلى خدمة العملاء المعتمدة.

الجهاز يتوقف

1. تم إطلاق الحمولة من الحملولة الزائدة للجهاز. ترك الضغط على مفتاح تشغيل/إيقاف.
2. الضغط على مفتاح بدء التشغيل ومفتاح التشغيل/الإيقاف. تم إطلاق الحماية من السخونة المفرطة لعلبة البطارية.
1. يجب الانتظار حتى تصبح درجة الحرارة لعلبة البطارية في النطاق الطبيعي.
2. إذا تعذر تشغيل الجهاز يجب شحن علبة البطارية.

البيانات الفنية

LMO 18-36

أداء الجهاز	
18	V جهد إسمي
36	cm عرض القص
30-70	mm ارتفاع القص
45	l حجم سلة جمع العشب
± 4000	1/min سرعة دوران اللاحمل
10%	

القيم المسجلة وفقاً للمواصفة EN 60335-2-77

78	dB(A)	مستوى أنبعاث الصوت L _{PA}
3	dB(A)	قيمة الشك K _{PA}
94	dB(A)	مستوى قدرة الصوت L _{WA} + قيمة الشك K _{WA}
0,5	m/s ²	قيمة اهتزاز الذراع - اليد بالمقبض الأيمن
1,4	m/s ²	قيمة اهتزاز الذراع - اليد بالمقبض الأيسر
1,5	m/s ²	K قيمة الشك

الأبعاد الوزن

1309	mm	الطول x العرض x الارتفاع
x 398		
x 1042		
13,4	kg	الوزن (بدون علبة بطارية)

المواصفات الفنية خاصة للتعديل.

الضمان

يسري في كل دولة شروط الضمان التي تضعها شركة التسويق المتخصصة التابعة لنا. نحن نتولى إصلاح الأخطاء التي قد تطرأ على جهازك خلال فترة الضمان بدون مقابل، عندما يكون سبب هذه الأعطال ناجم عن عيب في المواد المستخدمة أو في عملية التصنيع. في حالة استحقاق الضمان، نوجه من فضلك بقسيمة الشراء إلى أقرب موزع أو مركز خدمة عملاء معتمد. (العنوان على الصفحة الخلفية)

4. إزالة علبة البطارية.
5. غلق غطاء البطارية.

تفريغ سلة جمع العشب

إذا امتلئت سلة جمع العشب، يتم إغلاق غطاء بيان مؤشر ملء سلة جمع العشب. في هذه الحالة يجب تفريغ سلة جمع العشب. رفع غطاء فتحة الأبخراج.

صورة إيضاحية Q

1. إزالة سلة جمع العشب.
2. عند إزالة سلة جمع العشب، يجب الحرص على أن يبقى كابل التحكم بالمحرك موجوداً في حامل الكابل.
3. تفريغ سلة جمع العشب.

النقل

⚠ تحذير

شفرة حادة

إصابات بجروح

- كن حذراً عند إمالة الجهاز أو عند رفعه. عليك إبعاد جميع أجزاء الجسم عن الشفرة.
1. إيقاف الجهاز (انظر الفصل إيقاف التشغيل).
 2. التأكد من أن الشفرة متوقفة ولا تدور.
 3. اترك الجهاز يبرد.
 4. إزالة مفتاح الأمان (انظر الفصل إزالة علبة البطارية).
 5. إزالة علبة البطارية.
 6. يجب تأمين الجهاز ضد الانزلاق والانتقال عند نقله في المركبات.

التخزين

يجب تنظيف الجهاز قبل كل تخزين (انظر الفصل). حل براغي القفل السريع وطي المقبض.

1. صورة إيضاحية R طي السدادة السريعة ووضع المقبض على الجهاز.
2. صورة إيضاحية S وضع سلة جمع العشب على المقبض وعلى الجهاز.
3. صورة إيضاحية T تخزين الجهاز في مكان جاف وذا تهوية جيدة. ابعاد الجهاز عن المواد المسببة للتآكل مثل المواد الكيميائية للحدائق. عدم تخزين الجهاز في الهواء الطلق.

العناية والصيانة

⚠ تحذير

شفرة حادة

إصابات بجروح

كن حذراً عند إمالة الجهاز أو عند رفعه. عليك إبعاد جميع أجزاء الجسم عن الشفرة.

تنظيف الجهاز

1. إزالة علبة البطارية (انظر الفصل إزالة علبة البطارية).
2. يجب بعد كل استخدام تنظيف الأسطح الخارجية للجهاز باستخدام قطعة قماش ناعمة وجافة أو استخدام فرشاة للتنظيف.

صورة إيضاحية U

تنظيف الشفرة قبل التخزين لمدة طويلة.

3. إمالة الجهاز على الجانب.

صورة إيضاحية V

4. تنظيف الشفرة والجهة السفلية للجهاز باستخدام فرشاة.

صورة إيضاحية W

إزالة الانسدادات

⚠ تحذير

إزالة الانسدادات

إصابات بجروح عن طريق شفرة حادة أو أشياء ذات حواف حادة

ارند قفازات واقية إذا قمت بفحص الانسداد أو إزالته.

1. يجب إيقاف الجهاز والانتظار حتى تتوقف الشفرة تماماً.
2. إزالة علبة البطارية (انظر الفصل إزالة علبة البطارية).
3. إزالة سلة جمع العشب وفحص الانسدادات. إزالة الانسدادات إذا لزم الأمر.

مواصفات الجهاز

يتم في دليل التشغيل هذا شرح التجهيزات الكاملة. وفقاً للموديل، ستكون هناك اختلافات في نطاق التوريد (انظر العبوة).
للاشكال، انظر صفحة الصور.

صورة إيضاحية A

- 1 العجلة الأمامية
- 2 ذراع تعديل ارتفاع القص
- 3 وسيلة تحرير علب البطارية
- 4 غطاء البطارية
- 5 لوحة الطراز
- 6 حامل الكابل
- 7 كابل التحكم بالمحرك
- 8 مقبض
- 9 مفتاح بدء التشغيل
- 10 مفتاح التشغيل/الإيقاف
- 11 برغي تأمين قفل سريع
- 12 مؤشر ملء سلة جمع العشب
- 13 سلة جمع العشب
- 14 سداة سريعة
- 15 العجلة الخلفية
- 16 إسفين المهاد
- 17 *جهاز الشحن
- 18 *علبة البطارية
- 19 مفتاح الأمان

* اختياري

علبة البطارية

يمكن أن يتم استخدام الجهاز بطارية Kärcher بقوة 18 فولت مع علبة البطارية.

التركيب

تركيب المقبض

- 1 طي الجزء السفلي للمقبض.
- 2 تثبيت المقبض بالسداة السريعة.
- 3 تثبيت الجزء العلوي من المقبض في الارتفاع المرغوب.
- 4 تثبيت كابل التحكم بالمحرك بحامل الكابل.

بدء التشغيل

تركيب إسفين المهاد

- يتم استخدام إسفين المهاد، إذا كان ينبغي أن تبقى قصاصات العشب مرمياً على العشب.
- 1 فتح غطاء فتحة الإخراج.
 - 2 إدخال إسفين المهاد في فتحة الإخراج.
 - 3 غلق غطاء فتحة الإخراج.

تركيب سلة جمع العشب

- يتم استخدام سلة جمع العشب، إذا كان ينبغي أن يتم تجميع قصاصات العشب للتخلص منها.
- 1 فتح غطاء فتحة الإخراج.
 - 2 إزالة إسفين المهاد.

- 3 تركيب سلة جمع العشب بفتحة الإخراج. لذلك تأكد من أن غطاء فتحة الإخراج تغلق سلة جمع العشب.

صورة إيضاحية H

تركيب علبة البطارية

- 1 فتح غطاء علبة البطارية.
- 2 ادفع البطارية في مبيتها بالجهاز حتى تثبت بصوتٍ مسموع.
- 3 إدخال مفتاح الأمان.
- 4 غلق غطاء البطارية.

التشغيل

إرشادات عامة حول التعامل مع جزارة العشب

تعتمد فترة تشغيل البطارية بعدة عوامل:

- من حالة، طول وكثافة العشب
- من ارتفاع القص المضبوط
- قدرة قصوى للمساحة، اعتماداً على حالة العشب علبة بطارية 5 أمبير ساعة: حوالي 350 م²
- يمكن تحسين نتيجة عملية جز العشب كالتالي:
- قص ثلث ارتفاع العشب كحد أقصى.
- عند جز العشب الطويل، ينبغي تقليل السرعة التي يتم فيها دفع الجهاز.

إرشاد

لا تجز العشب الرطب. العشب الرطب يظل ملتصقاً بالجهة السفلية لجزارة العشب ولا يمكن جمعه في سلة جمع العشب أو قذف القصاصات بشكل جيد.

جز العشب

⚠ تحذير

رفع أو إمالة جزارة العشب أثناء التشغيل

إصابات بجروح
تدور شفرة جزارة العشب بالبطارية بشكل متوازي على الأرض التي تتحرك فوقها. احرص على أن تكون جميع العجلات الأربعة ملاصقة للأرض عند جز العشب.

- 1 تركيب سلة جمع العشب أو إسفين المهاد (انظر الفصل بدء التشغيل).
- 2 ضبط ارتفاع القص باستخدام ذراع تعديل ارتفاع القص.
- 3 صورة إيضاحية J
يعتمد ارتفاع القص على حالة وطول وكثافة العشب (انظر الفصل إرشادات عامة حول التعامل مع جزارة العشب).
- 4 صورة إيضاحية K
الضغط على مفتاح بدء التشغيل ومفتاح التشغيل/الإيقاف.
- 5 صورة إيضاحية L
الجهاز يعمل.
- 6 صورة إيضاحية M
ترك الضغط على مفتاح بدء التشغيل والاستمرار بالضغط على مفتاح التشغيل/الإيقاف.
- 7 يجب عند استخدام سلة جمع العشب تفرغها بشكل منتظم، والى فقد تنسد فتحة الإخراج عن طريق قصاصات العشب (انظر الفصل تفرغ سلة جمع العشب).

جز منطقة الحافة

يمكن أن يقوم الجهاز بجز العشب على الحواف مثلًا على طول الجدار.

- 1 دفع جزارة العشب بالقرب من الجدار قدر الإمكان.
- 2 صورة إيضاحية N
يضمن السحب الجانبي أن العشب تم سحبه الى نطاق القص.

إيقاف التشغيل

- 1 ترك الضغط على مفتاح تشغيل/إيقاف.
- 2 صورة إيضاحية O
المحرك يتوقف.

إزالة علبة البطارية

- 1 فتح غطاء علبة البطارية.
- 2 صورة إيضاحية P
إزالة مفتاح الأمان.
- 3 الضغط على زر التحرير علبة البطارية.

- الجهاز مخصص لجز العشب المنزلي.
- تم تصميم الجهاز ليتم دفعه باليد. ينبغي عدم سحب الجهاز.
- لا يسمح بركوب الجهاز.
- يحظر أي استخدام آخر. مستخدم الجهاز هو المسؤول عن الأضرار الناجمة عن الاستخدام غير السليم.

حماية البيئة

- المواد المستخدمة في التغليف قابلة لإعادة التدوير. يرجى التخلص من مواد التغليف بطريقة تحافظ على البيئة.
- تحتوي الأجهزة الكهربائية والالكترونية مواد قيمة قابلة لإعادة التدوير وغالبا على أجزاء مثل البطاريات، متراكبات أو الزيوت والتي قد تشكل خطورة على صحة الإنسان والبيئة في حالة التعامل معها أو تم التخلص منها بصورة خاطئة. لا يجوز أن هذه الأجزاء ضرورية لتشغيل الجهاز بصورة سليمة. لا يجوز التخلص من الأجهزة المميزة بهذا الرمز مع النفايات المنزلية.

إرشادات حول مواد المحتويات (REACH)

تجد المعلومات الحالية حول مواد المحتويات على الموقع: www.kaercher.com/REACH

الملحقات التكميلية وقطع الغيار

استخدام الملحقات التكميلية الأصلية وقطع الغيار الأصلية فقط، والتي تضمن تشغيل الجهاز بشكل آمن وخال من الاختلالات. تجد المعلومات الخاصة بالملحقات التكميلية وقطع الغيار على الموقع www.kaercher.com.

محتوى التسليم

محتوى تسليم الجهاز مصور على العبوة. تأكد من وجود جميع محتويات العبوة عند فتحها. وفي حالة نقص أية ملحقات تكميلية أو اكتشاف أي تلف بها ناتج عن عملية النقل، يرجى إخطار البائع.

تجهيزات السلامة

رموز على الجهاز

ابعد جميع التحذيرات وإرشادات السلامة. اقرأ وافهم جميع التعليمات قبل استعمال المنتج.

احترس من الأشياء المتطايرة أو المقذوفة.



ابعد جميع المشاهدين وخاصة الأطفال والحيوانات 15 م على الأقل من نطاق مكان العمل.



انتبه من الشفرة الحادة. تستمر الشفرات بالدوران بعد إيقاف المحرك.



قم بإزالة مفتاح الأمان قبل إجراء أعمال الصيانة.



ارتد معدات واقية للعيون وللسمع ومناسبة عند العمل.



لا تعمل على المنحدرات الحادة.



لا تعرض الجهاز للمطر أو لظروف رطبة.



حماية من الحمولة الزائدة

الجهاز مزود بتجهيزة حماية من الحمولة الزائدة. إذا تم اكتشاف حمولة زائدة، سيتم إيقاف الجهاز أوتوماتيكيا.

- لا ترتفع أو لا تحمل الجهاز عندما يكون المحرك دائرا.
- تحتوي الأماكن غير المستوية على خطر الانزلاق والحوادث بشكل أكبر. تجنب الفجوات، الأخاديد، الحجارة أو أشياء أخرى مخفية. • قم بتشغيل الجهاز فقط إذا كنت تتواجد خلف المقبض في مكان آمن.
- أن تكون العجلات الأربعة موجودة على الأرض.
- أن لا تكون فتحة الإخراج مفتوحة، بل أن تكون محمية عن طريق سلة جمع العشب أو غطاء فتحة الإخراج.
- عدم وجود أيادي أو أقدام بالقرب من جهاز القص.
- قم بإيقاف المحرك ثم قم بإزالة مفتاح الأمان. تأكد من أن جميع الأجزاء المتحركة متوقفة تماما.

- دائما إذا تركت الجهاز بدون مراقبة عند التخلص من قصاصات العشب.
- قبل إزالة انسداد أو تنظيف فتحة الإخراج.
- قبل فحص الجهاز، تنظيفه أو إجراء أعمال عليه.
- بعد إصابة جسم غريب، تحقق أولا من الأضرار بالجهاز ثم قم بإصلاح هذه قبل إعادة تشغيل الجهاز.
- قبل إزالة سلة جمع العشب أو فتح غطاء مكان قذف العشب.
- إذا بدء الجهاز بالاهتزاز بشكل غير طبيعي، عليك فحص الجهاز فوراً:
- - الأجزاء المرخية. شد الأجزاء المرخية بشكل محكم إذا لزم الأمر.
- - فحص الأضرار وخاصة بالشفرة. إصلاح أو استبدال الأجزاء التالفة.

⚠ **تنويه** • تحقق بشكل منتظم من عدم وجود التآكل والتلف في سلة جمع العشب.

تنبيه • تأكد من عدم انحناس كابل التحكم بالمحرك عند عملية التجميع أو عند طي المقبض أو عدم ثلغه بطريقة أخرى.

مخاطر متبقية

⚠ تحذير

- حتى وإن تم استخدام الجهاز كما هو منصوص عليه، إلا أن بعض المخاطر تبقى موجودة. من المحتمل أن تنشأ المخاطر التالية عند استخدام الجهاز:
- يمكن أن يسبب الاهتزاز بإصابات. استخدم لكل عمل الأداة المناسبة، استخدم المقبض المخصص لذلك وحدد فترة العمل والتعرض.
- يمكن أن تؤدي الضوضاء إلى أضرار بالسمع. ارتد واقي للسمع وحدد قدرة التحمل.
- إصابات ناجمة عن الاحتكاك بالشفرة.
- إصابات ناجمة عن الأشياء المتطايرة.

تقليل المخاطر

⚠ تنويه

- قد يؤدي استخدام الجهاز لفترة طويلة متواصلة إلى حدوث مشاكل بسريران الدورة الدموية في اليدين وذلك بسبب الاهتزازات. لا يمكن أن يتم تحديد فترة الاستخدام بشكل عام، لأن ذلك يتعلق بعدة عوامل مؤثرة:
- استعداد شخصي لضعف الدورة الدموية (غالبا أصابع باردة ، وخز في الأصابع)
- درجة حرارة المحيط المنخفضة. استخدم قفازات دافئة لحماية اليدين.
- يتم عن طريق مسك الجهاز بشكل قوي منع دوران الدورة الدموية.
- تكون عملية الاستخدام المتواصلة أكثر ضررا من الاستخدام المتقطع من خلال وقفات الاستراحة.
- عند استخدام الجهاز بشكل منتظم ولفترات طويلة وحينها يتكرر ظهور عوارض مثل تميل الأصابع، أصابع باردة، ينبغي عليك مراجعة الطبيب.

الاستخدام المطابق للتعليمات

⚠ خطر

الاستخدام غير المطابق للتعليمات

- خطر على الحياة بسبب الإصابات بجروح
- استخدم الجهاز وفقا للعرض المحدد له فقط.
- استخدم جزاة العشب بالبطارية للاستعمال المنزلي فقط.
- الجهاز مخصص للاستخدام الخارجي فقط.

المحتويات

12	إرشادات السلامة
13	الاستخدام المطابق للتعليمات
13	حماية البيئة
13	الملاحظات التكميلية وقطع الغيار
13	محتوى التسليم
13	تجهيزات السلامة
14	مواصفات الجهاز
14	التركيب
14	بدء التشغيل
14	التشغيل
15	النقل
15	التخزين
15	العناية والصيانة
15	مساعدة في حالة حدوث أعطال
15	البيانات الفنية
15	الضمان
16	إعلان المطابقة لمطبيقات الاتحاد الأوروبي

إرشادات السلامة



اقرأ قبل أول استخدام للجهاز إرشادات السلامة هذه، ودليل التشغيل الأصلي هذا، وإرشادات السلامة المرفقة بعلبة البطارية وكذلك دليل التشغيل الأصلي المرفق بعلبة البطارية / جهاز الشحن القياسي. ثم تصرف طبقاً لذلك، حافظ على الكتيبات الخاصة للاستخدام لاحقاً أو تسليمهما للمالك اللاحق.

عليك إلى جانب الإرشادات الواردة في دليل التشغيل مراعاة القواعد العامة للسلامة والوقاية من الحوادث والتي يحددها المشرع القانوني.

درجات الخطر

⚠️ خطر

• إشارة إلى خطر مباشر وشيك الحدوث وقد يؤدي إلى إصابات جسدية بالغة أو إلى الوفاة.

⚠️ تحذير

• إشارة إلى موقف قد تحفه المخاطر وقد يؤدي إلى إصابات جسدية بالغة أو إلى الوفاة.

⚠️ تنويه

• إشارة إلى موقف قد تحفه المخاطر وقد يؤدي إلى إصابات بسيطة.

تنبيه

• إشارة إلى موقف قد تحفه المخاطر وقد يؤدي إلى حدوث أضرار مادية.

إرشادات السلامة العامة

⚠️ خطر

جسدية جسيمة نتيجة بتر اليدين والقدمين وكذلك من خلال قذف الأشياء. • إصابات خطيرة بسبب العمل بدون تركيز لا تستخدم الجهاز إذا كنت تحت تأثير المخدرات أو الكحول أو الأدوية أو عندما تكون مجهداً.

⚠️ تحذير

لا يُسمح للأطفال والأشخاص الذين ليس لديهم خبرة بالتعليمات هذه باستخدام هذا الجهاز. يمكن أن تحدد اللوائح المحلية عمر المستخدم. • لا يُسمح للأطفال باللعب بهذا الجهاز. • يجب مراقبة الأطفال للتأكد من عدم لعبهم بالجهاز. • استخدم الجهاز فقط مع علبة البطارية الخاصة كما هو مذكور في دليل التشغيل هذا. عليك عند استخدام الأجهزة التي تعمل بالبطارية والتي يجب فيها اتباع الحذر بشكل أساسي تجنب المخاطر والإصابات ونشوب حريق وتقليل تسرب سائل البطارية. • ارتد عند استخدام الجهاز سروال طويل وثقيل، ملابس ذات أكمام طويلة وحذاء ضد الانزلاق. • لا تعمل حافي القدمين. لا ترتدي الصنادل أو السراويل القصيرة. تجنب ارتداء ملابس فضفاضة أو ملابس مزودة بأربطة وأشرطة. • يجب عليك ارتداء نظارات واقية مزودة بحماية جانبية. • قم دائماً بتوجيه الجهاز بشكل عرضي على طول المنحدر.

⚠️ تحذير

شفرات الجهاز حادة. ارتد قفازات واقية متينة وأعمل بحذر إذا قمت بأعمال تركيب، تغيير، تنظيف أو فحص مكان البراغى. • قم باستبدال الأجزاء المتالكة أو التالفة في مجموعات للحفاظ على الموازنة. • تأكد من أن الجهاز في حالة سليمة عن طريق إجراء فحص على فترات منتظمة إذا كانت الخوارج والصواميل والبراغي مشدودة بشكل محكم. • يجب استبدال الأجزاء المتالكة أو التالفة قبل تشغيل الجهاز. • لا تستخدم الجهاز أبداً لم يكن مفتاح التشغيل/الإيقاف بالمقبض يعمل أو يتوقف بشكل صحيح. • لا تستخدم القوة لتشغيل الجهاز. • قم بإيقاف الجهاز بإجراء الشفرة لنقل الجهاز من وإلى المكان المراد جز العشب فيه أو إمالة الجهاز عند عبور سطح لا يوجد فيه عشب. • يجب إيقاف الشفرة قبل عبور مناطق فيها حصى. • لا تستخدم الجهاز أبداً مع استخدام معدات الحماية التالفة أو بدون معدات حماية مثل الخوارج و/أو سلة جمع العشب. • ابتعد بديك أو قدميك عن أو من تحت الأجزاء الدوارة. • قم بإيقاف المحرك وفقاً

خطر حدوث الإصابات إذا قمت بتوجيه الجهاز لأعلى والأسفل عند العمل على المنحدرات. • لا تسرع بالمشي بل امشي ببطء عند العمل باستخدام الجهاز. • قم بتأمين مكان وقوفك بشكل آمن وثابت وحافظ على التوازن وخاصة عند العمل على المنحدرات. • خطر وقوع حوادث بسبب الانزلاق. لا تستخدم الجهاز على حافة المنحدرات، الخنادق، على الأماكن الصاعدة أو الجبلية.

⚠️ تنويه • تعرف على عناصر التحكم والاستخدام السليم للجهاز.

سلامة مكان العمل

⚠️ خطر • حدوث إصابات خطيرة عند تتطايير أشياء من شفرة القطع أو عند إنزاف سلك أو حبل على أداة القطع. تحقق بدقة من مكان العمل قبل الاستخدام وعدم وجود أي أشياء مثل الحجارة، العصى، المعادن، أسلاك، عظام أو ألعاب ويجب إزالة هذه إذا وجدت. • لا تستخدم الجهاز أبداً عند وجود أطفال أو حيوانات في محيط 15 متر، نظرا لوجود خطر تتطايير أشياء من شفرة القطع. • خطر الانفجار. يولد الجهاز الشرر والتي يمكن أن تشعل القيار أو الأخرة. • لا تستخدم الجهاز في المناطق القابلة للانفجار والتي يتواجد فيها سوائل قابلة للاشتعال أو غازات أو أغبرة. • حوادث خطيرة مع الأطفال. يمكن أن تجذب الأطفال إلى الجهاز والعمل به. راقب الأطفال لأنهم لا يظلموا في نفس المكان الذي رأيتمهم فيه آخر مرة.

⚠️ تحذير • لا تستخدم الجهاز على العشب الرطب أو تحت المطر. • لا تستخدم الجهاز عند وجود خطر البرق. • ينبغي جز العشب دائما في وضع النهار أو عند وجود إضاءة اصطناعية جيدة. • يجب إبعاد الأطفال عن المكان المراد جز العشب فيه وأن يكونوا تحت رقابة شخص راشد وأن لا يكون هذا الجهاز مشغل للجهاز ولكن بعيدا عنهم بإيقاف الجهاز عند وجود أحد الأطفال في المكان المراد جز العشب فيه. • كن حذرا عند الاقتراب إلى زوايا غامضة، شجيرات، أشجار أو أجسام التي من الممكن أن تعيق الرؤية.

تنبيه • مشغل الجهاز هو مسؤول عن الحوادث التي تحدث مع الأشخاص الآخرين أو لممتلكاتهم.

تشغيل آمن

⚠️ خطر • تأكد قبل كل استخدام للجهاز من أن الشفرة، خابور الشفرة ووحدة الشفرة غير متالكة أو متضررة. • لا تقوم بقفل مفتاح التشغيل/الإيقاف في وضع التشغيل أبداً. فهذا الأمر خطير للغاية. • لا تسحب الجهاز للخلف إلا إذا كان هذا العمل ضروري جدا. إذا كان يجب عليك مواصلة سحب الجهاز بعيدا عن الجدار أو عائق ما، فعليك أول النظر إلى أسفل لتجنب التعثر أو مرور الجهاز فوق قدميك. • خطر الإصابة بسبب الاحتكاك مع الشفرة المكشوفة أو بسبب الأشياء المتطايرة. لا تقم بإمالة الجهاز عند بدء تشغيل المحرك أو عندما يكون المحرك داترا. وإذا كانت إمالة الجهاز لا بد منها وضرورية للغاية، مثلا لتسهيل بدء التشغيل، يمكنك رفع الجهة الأمامية للجهاز حوالي 5 سم تقريبا. اضغط بالاضافة إلى ذلك برفق على المقبض إلى أسفل. يجب عليك نقل الجهاز إلى الموضع التشغيل (يعني أن تكون جميع العجلات الأربعة على الأرض)، قبل البدء بعملية جز العشب. • إذا احتكت الشفرة مع كابل تيار كهربائي، يمكن أن يؤدي ذلك إلى سريان التيار في أجزاء الجهاز المعدنية مما يتسبب هذا بصعقة كهربائية.

⚠️ تحذير • شفرات الجهاز حادة. ارتد قفازات واقية متينة وأعمل بحذر إذا قمت بأعمال تركيب، تغيير، تنظيف أو فحص مكان البراغى. • قم باستبدال الأجزاء المتالكة أو التالفة في مجموعات للحفاظ على الموازنة. • تأكد من أن الجهاز في حالة سليمة عن طريق إجراء فحص على فترات منتظمة إذا كانت الخوارج والصواميل والبراغي مشدودة بشكل محكم. • يجب استبدال الأجزاء المتالكة أو التالفة قبل تشغيل الجهاز. • لا تستخدم الجهاز أبداً لم يكن مفتاح التشغيل/الإيقاف بالمقبض يعمل أو يتوقف بشكل صحيح. • لا تستخدم القوة لتشغيل الجهاز. • قم بإيقاف الجهاز بإجراء الشفرة لنقل الجهاز من وإلى المكان المراد جز العشب فيه أو إمالة الجهاز عند عبور سطح لا يوجد فيه عشب. • يجب إيقاف الشفرة قبل عبور مناطق فيها حصى. • لا تستخدم الجهاز أبداً مع استخدام معدات الحماية التالفة أو بدون معدات حماية مثل الخوارج و/أو سلة جمع العشب. • ابتعد بديك أو قدميك عن أو من تحت الأجزاء الدوارة. • قم بإيقاف المحرك وفقاً



THANK YOU!
MERCI! DANKE! ¡GRACIAS!



Registrieren Sie Ihr Produkt und profitieren Sie von vielen Vorteilen.

Register your product and benefit from many advantages.

Enregistrez votre produit et bénéficiez de nombreux avantages.

Registre su producto y aproveche de muchas ventajas.

www.kaercher.com/welcome



Bewerten Sie Ihr Produkt und sagen Sie uns Ihre Meinung.

Rate your product and tell us your opinion.

Évaluer votre produit et dites-nous votre opinion.

Reseñe su producto y díganos su opinión.



www.kaercher.com/dealersearch

Alfred Kärcher SE & Co. KG
Alfred-Kärcher-Str. 28-40
71364 Winnenden (Germany)
Tel.: +49 7195 14-0
Fax: +49 7195 14-2212

